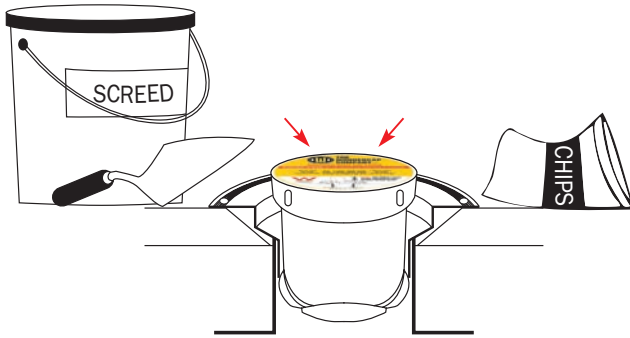




**THE
WONDERCAP
COMPANY** PTY LTD

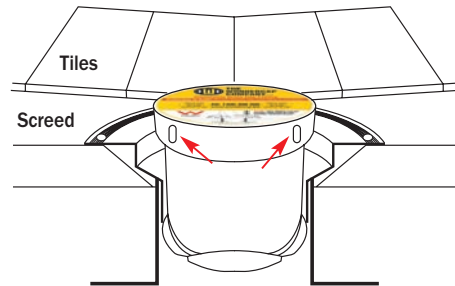
**DISCOVER THE
ADVANTAGES OF
THE WONDERCAP**

» **PROTECTIVE CAP**



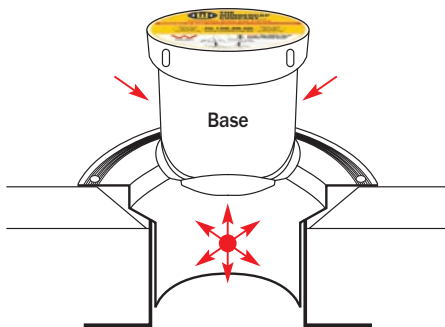
» The Wondercap eliminates the chance of blockages in drains caused by construction rubbish and tiler's screed and grout.

» **WEEP HOLES**



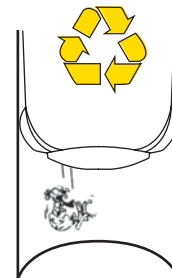
» Patented weep holes in the base allows moisture build up under the tiles and in the bedding to escape down the floor waste.

» **ADJUSTABLE BASE**



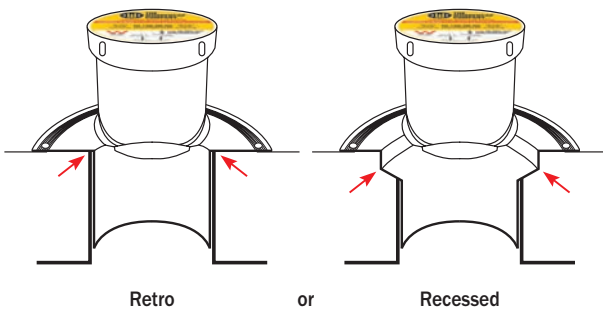
» Adjustable insert base suits various screed heights and corrects misaligned pipe work.

» **RECYCLABLE NON-STAIN BASE**



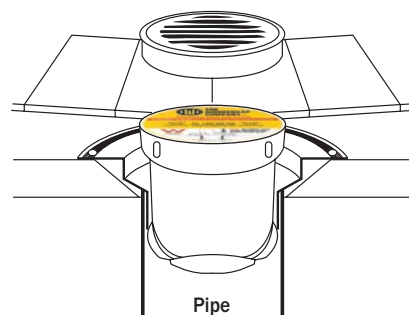
» Made from recyclable polypropylene, the base is a non-stain surface.

» **PUDDLE FLANGE**



» Flange seals off pipes at slab level and eliminates 80% of all waterproofing problems and stops water from escaping down the side of the pipe.

» **HYGIENIC FREE FLOWING CONNECTION**



» Clean, smooth, hygienic connection between the grate and pipe. No misaligned grate! No unsightly waterproofing. No rough edges.