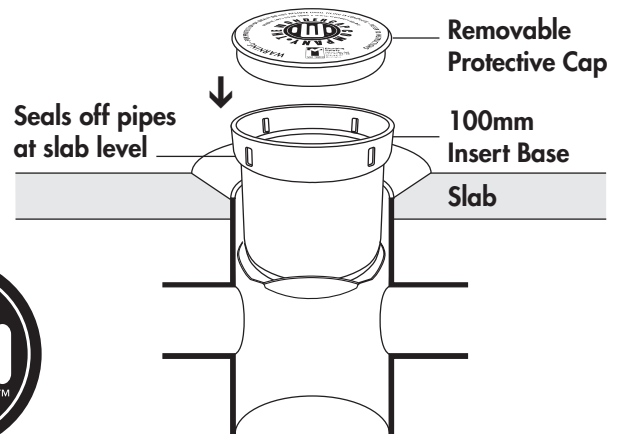


ARE CALL BACKS

COSTING YOUR PLUMBING BUSINESS NEW BUSINESS?



CAN YOU AFFORD NOT TO USE THE WONDERCAP?

Recent market research has shown that plumbers are up to five times more likely to be required to perform a costly post construction service call than builders or tilers.

WHY?... Tilers' screed, construction rubbish, grout, and cement!

These unavoidable by-products of the construction process have been identified as the main causes of the all too common problems associated with drainage systems following practical completion.

Unpleasant odours, slow drainage or even complete blockages are often the results. *You may not have caused the problem - but you will be the one called back to fix it!*

WONDERCAP offers an intelligent, cost effective way to avoid the unavoidable- keeping waste outlet pipes **FREE** of foreign matter.

The **WONDERCAP** is a revolutionary yet simple new fitting designed to enable all plumbers to eliminate these potential problems at the initial stages of construction - **first time every time.**

WONDERCAP will ensure that the plumbers and tilers jobs are made easier and more accurate saving time and money. More importantly, the **WONDERCAP** guarantees that the consumer is delivered a safer, odourless, more hygienic floor and shower waste, and a **Free Flowing Hassle Free Drainage System.**

Incorporate **WONDERCAP** into your professional practices and reap the benefits. Improve quality control, **avoid call backs** and the pitfalls of post construction warranties.

WONDERCAP FEATURES

- Available in two sizes 100mm and 50 mm.
- Will fit any floor and shower waste grate.
- Can be used in conjunction with puddle flanges.
- Can be adjusted up and down for various screed and floor waste grate heights.
- Can be removed to allow the water proofing membrane to be applied to the floor and shower waste riser.
- Supports and transitions the 100mm grate to 50mm waste.
- Patented weep holes to help drain floor and shower wastes.

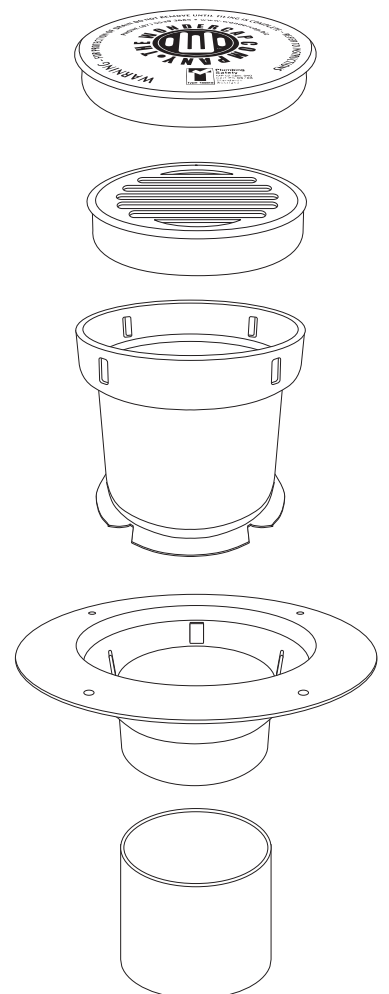
VISIT OUR STAND

**No.D10 AT THE BUILDING & DESIGN EXHIBITION, SYDNEY CONVENTION CENTRE
from 25-28th May or ask for WONDERCAP at your plumbing supplier store,
or contact:**



WATERPROOFING WAREHOUSE

4/12 Strathaird Road, Bundall, Qld 4217 Australia
Phone: 07 5592 1329 Fax: 07 5592 1227
www.wpw.com.au E-mail: admin@wpw.com.au



ABN 50 098 664 503
Aus. P. P. 59308/99