



# THE WONDERCAP *Instruction Sheet*

ABN 50 098 664 503  
Aus. P. P. 721822

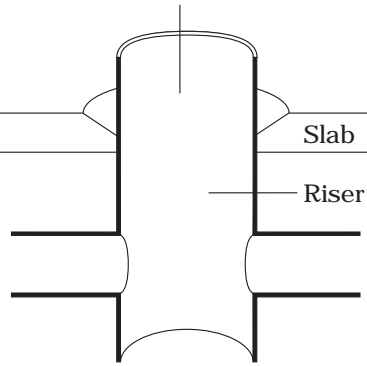


## DO YOU HAVE PROTECTION?

*You don't want your business to go down the drain... Why should construction waste?*

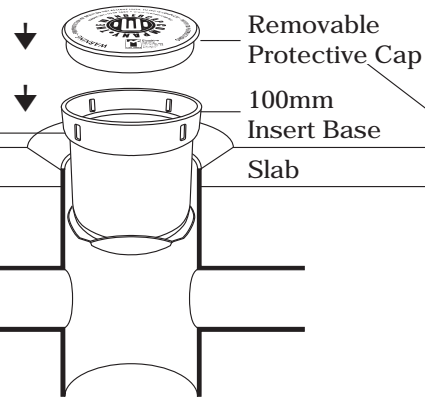
**a**

Good Building Practice  
Scoop a recess around floor  
& shower riser. This will  
solve 80% of your water  
proofing problems.



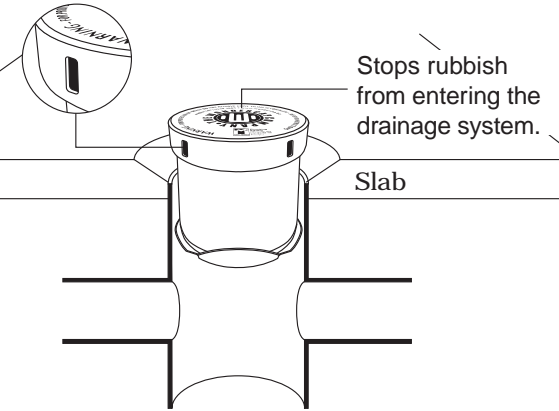
**b**

Seals off pipes  
at slab level.



**c**

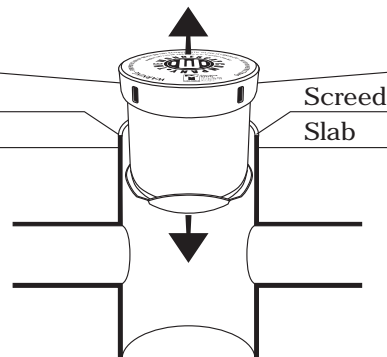
Allows water to  
drain through cap.



**d**

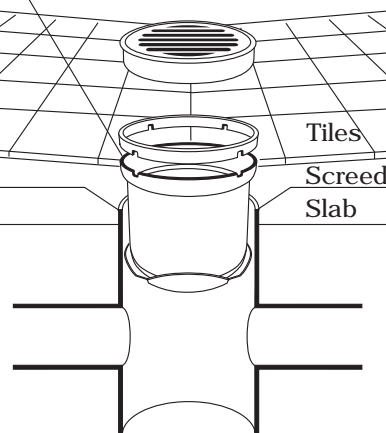
Can be adjusted up  
or down to required  
screeding height.

Secure in position  
with screed.



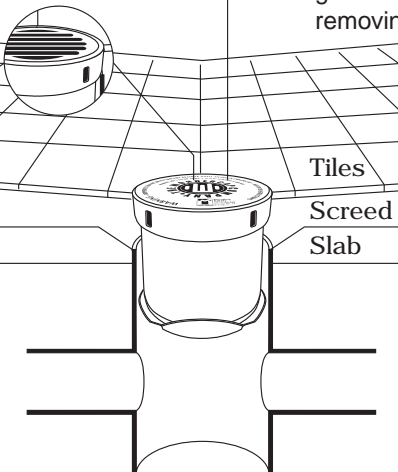
**e**

Screeding heights may be varied and the  
WONDERCAP can be cut down to suit  
different working levels and still utilise the  
WONDERCAP principles.



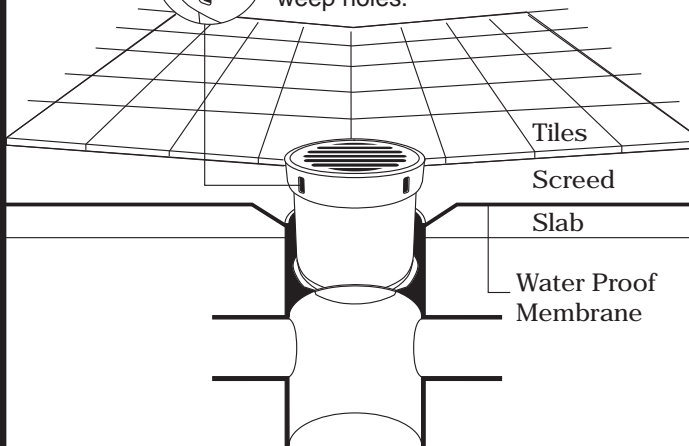
**f**

Area can be  
screeded, tiled and  
grouted without  
removing the cap.

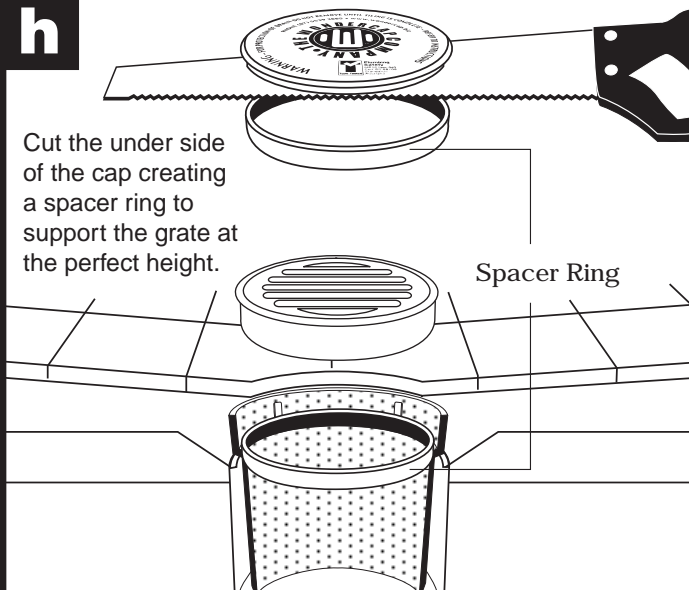


**g**

Provides positive drainage of tiled floors between the tiles and water proof membrane via weep holes.

**h**

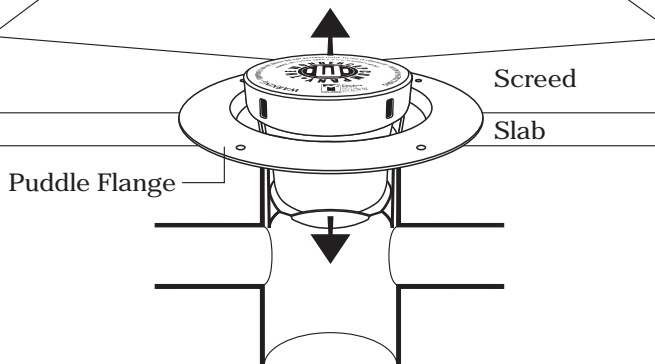
Cut the under side of the cap creating a spacer ring to support the grate at the perfect height.



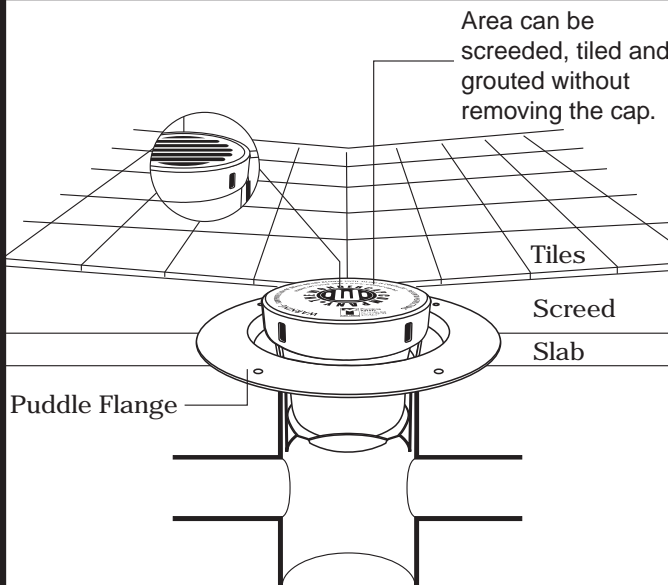
## Installation with Puddle Flange

Can be adjusted up or down to required screeding height.

Secure in position with screed.

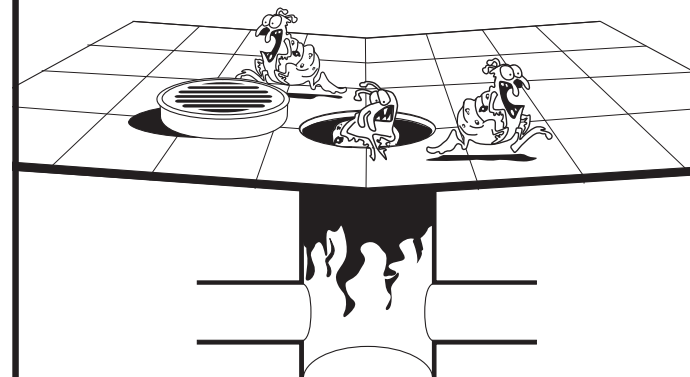


Area can be screeded, tiled and grouted without removing the cap.

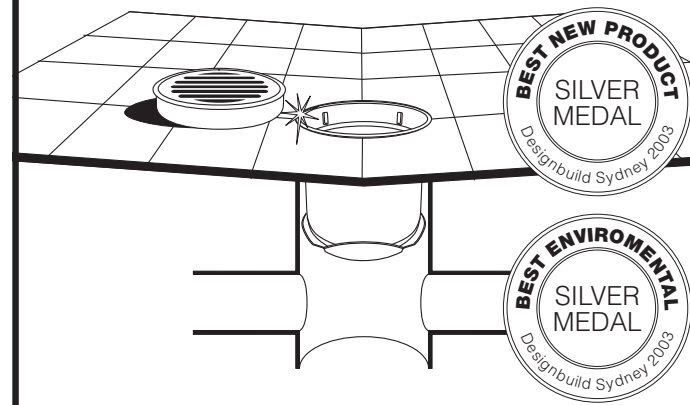


## THE RESULT

Used correctly, the WONDERCAP removes the chance of blockages from excess construction rubbish and tilers screed. In turn, eliminating odours most commonly caused by hair and soap catching on these excesses



The WONDERCAP is made from recyclable polypropylene and will not stain or smell. The WONDERCAP delivers a clean and hygienic product for your clients



**WONDERCAP** will fit any floor waste and shower grate from brass to PVC.

**SAVE** time and money for the tiler.

- accurate screeding of the floors
- reduce time keeping the screed out of the waste riser
- setting up of the floor & shower waste grate will be easier and faster

**ELIMINATE** the chance of temporary bungs and other methods, used to eliminate foreign matter entering the waste pipes, from being lost or forgotten in the drainage system.

**REDUCE** the risk of blockages and hygiene problems in waste outlet pipes.

**IDEAL** for a variety of applications:

- All wet areas
- Bathroom renovations
- Planter drain outlets
- Dry floor waste for balcony outlets
- Drainage outlets for paved patios
- Can be used in conjunction with a puddle flange

**Evolution of Building Practices  
Waterproofing Warehouse**

Phone: 07 5592 1329

Fax: 07 5592 1227

4/12 Strathaird Road, Bundall, 4217

www.wpw.com.au

admin@wpw.com.au

